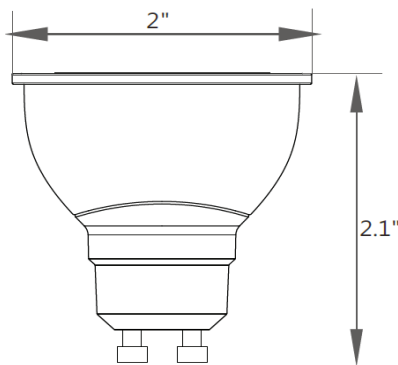


DR.BULBS GU10 5W DIMMABLE LED BULBS



FEATURES

- 90% more efficient than halogen
- Replacement for 50W halogen bulbs
- GU10 base
- Suitable for dry and damp locations
- Dimmable with approved dimming switch
- Compatible with most of the dimmer in the market
- Three years limited warranty
- Please refer to the Dimmer Compatibility List for further information



GENERAL SPECIFICATIONS

Form Factor	Operating Temperature	Electrical	Dimming and flicker
Width:50mm(2in)	Minimum: -25°C(ambient)	Wattage: 5W	Dimmable to : <10%
Height:54mm(2.1in)	Typical:65°C-75°C(housing)	Power factor: >0.9	Flicker Index: 0.0392
Weight :60g(2.12oz)	Maximum:40°C (ambient)	Voltage:120V AC	Percent Flicker:14.50%

SPECIFICATIONS BY MODEL NO.

Model#	Type	Base	CCT(K)	Ra	Lumen	Efficacy	B.A.	Dim	Lifetime	Replace
RGU10G-5-340D	MR16	GU10	3000	>80	450lm	90	40°	YES	25000Hrs	50W
RGU10G-5-440D	MR16	GU10	4000	>80	450lm	90	40°	YES	25000Hrs	50W